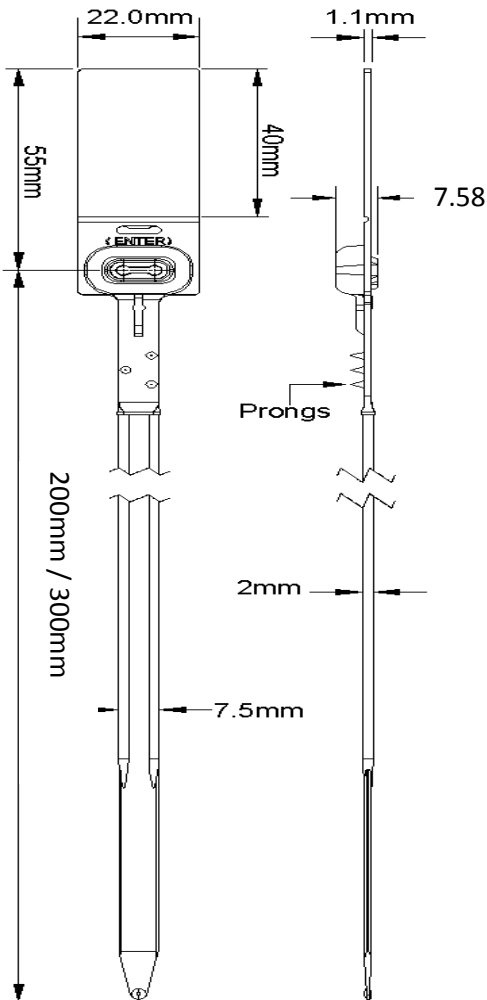


ALTA MAX LLC

# GRIP SEAL



## APPLICATIONS

- Bulk Tankers/ Trailers
- Tote Boxes
- Trailers
- Valves
- Hatches
- Pouches
- Cash/ Coin Bags
- Mail Bags
- Plastic & Cloth Bags
- Inner Drum Bags

## FEATURES

- Suitable for a wide range of applications.
- 10 Seals per mat.
- Two tail lengths: 200mm and 300mm
- Smooth tail to easy pull-up.
- Integral metal clip provides a high level of security.
- Optional gripping prongs and / or tear-away features.

## MATERIAL

- Polypropylene

## DIMENSIONS

- Overall Length – 330mm / 430mm
- Flag Size – 68mm x 22mm x 1.1 THK
- Tail Length – 200mm / 300mm Length x 7.5mm Width

## STRENGTH

- Average Looped Pull Apart Force – 40kg

## DECORATIONS / PRINTING

- Heat Stamped with Name/ Logo and consecutive numbers (8 digits)
- Directed Laser Mark / Tampo Print Laser Mark – Barcode
- Barcode Symbolologies – Interleaved 2 of 5 / Code 39 / Code 128

## COLORS

- Standard – Red / Green / Blue / Yellow / Black / White / Dark Blue / Dark Green
- Custom – Orange / Gray / Purple / Brown
- Direct Laser Mark (Only) – White/ R-Red / R-Blue / R-Orange / R-Yellow

## PRODUCT NUMBERS

- Grip S 200mm (GP412-S)
- Grip L 300mm (GP412-L)

## STANDARD PACKAGING

- 1,000 Pcs / Carton (10 pcs / Mat – 50 Mats/Bags)
- Carton Dimension:
  - Grip S 24cmL x 35cmW x 40cmH (9.44”L x 13.78”W x 15.75”H)
  - Grip L 24cmL x 44cmW x 40cmH (9.44”L x 17.32”W x 15.75”H)
- Carton Weight:
  - Grip S Gross – 4.8kg (10.58lbs) Nett – 4.32kg (9.52lbs)
  - Grip L Gross – 6.7kg (14.77lbs) Nett – 5.75kg (12.68lbs)

