



ALTA MAX LLC

HINGE LOCK SEAL

The AMAX Hinge Lock is an easy-to-use padlock seal designed for application with one hand. A spring-hinged arm and integrally welded locking mechanism provide effective tamper-resistance.



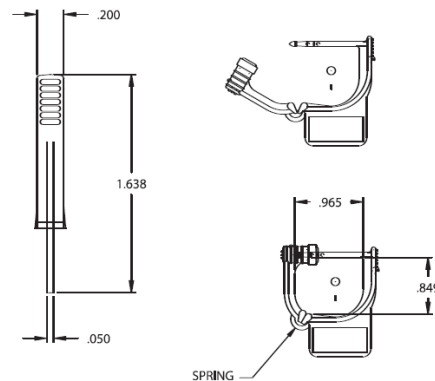
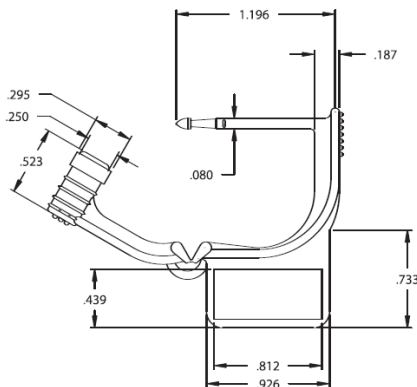
Features:

- All plastic construction provides durability and reliability.
- Extremely strong nylon locking mechanism provides the most secure lock available for a seal of this type.
- Straight, thin locking arrow fits most latch mechanisms and can be secure with one hand.
- Designed for reliable, cost effective tamper-evidence and quick access.
- Individually numbered and stamped or embossed with company name or logo.

Applications:

- Electric Meters
- ATM Cassettes
- Inflight Service Equipment
- Bank Equipment
- Zipper Bags
- Fibre Drums
- Hospital Equipment
- Pharmacy Cabinets

Seals shown not actual size.



Materials:

Polypropylene or HDPE,
nylon locking mechanisms

Operational length:

15/16"
Maximum slot size for shackle
to pass through: 3/32"

Hot Stamped Printing:

Numbering: 7 digits
Logo: 11/32" x 25/32"

Packing:

1,000 per carton
8,000 per master carton

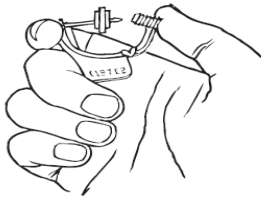
Gross Weight:

4.5 lbs. per thousand
34 lbs. per master carton

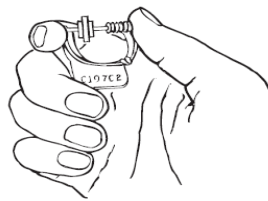
Box Dimensions:

Inner carton: 14-1/4" x 6" x 7"
Master carton: 28-1/2" x 15" x 15"

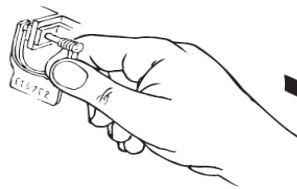
Apply



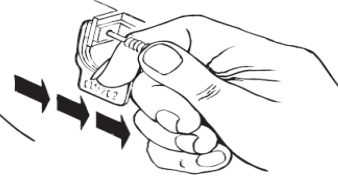
1. Place arrow through slot of item to be sealed.



2. Gently push arrow into locking barrel until it engages locking teeth.



3. Gently pull on seal to ensure it has been properly locked.



4. To Remove, hook forefinger under locking barrel and pull laterally away from the slot. **DO NOT PULL DOWNWARD.**